



Our Product :

Fire Tube Boiler

Water Tube Boiler

Thermal Oil Heater

Heat Transfer Oil

PT INDIRA DWI MITRA

Jl.Dewi Sartika, Kp. Ceger Rt.009 Rw.002 Ds. Lebakwangi,
Kec. Sepatan Timur, Tangerang - Banten 15520
Fax : 021-59371687 | Tlp : 021-22259500
www.indira.co.id | www.bejoboiler.com

RULI NURROKHIM

Phone/W.A : 0812-8183-6224
E-Mail : nur.r@indira.co.id
sales@bejoboiler.com

STEAM GENERATOR - IDM300 to IDM5000

Technical Specifications - Capacity and Consumption

TECHNICAL DATASHEET								
Features	Unit	IDM 300	IDM 500	IDM 1000	IDM 1500	IDM 2000	IDM 3000	IDM 5000
Steam production	Kg/h	300	500	1000	1500	2000	3000	5000
Design pressure	bar	12	12	12	12	12	12	12
Max working pressure	bar	10	10	10	10	10	10	10
TOTAL ELECTRIC POWER								
Heavy fuel oil	KW	4,3	5,3	9,6	12,9	16,0	24,0	32
Natural gas or diesel oil	KW	2,3	2,3	4,6	5,9	7,0	12,0	18
FUEL CONSUMPTION AT 100% OF THE LOAD								
Heavy fuel oil	Kg/h	22	36	72	110	145	218	363
Natural gas	Nm ³ /h	25	41	81.5	124.5	164	247	411
Diesel oil	kg/h	23	38	76	116	153	230	383
FUEL CALORIFIC POWER								
Heavy fuel oil	Kcal/kg	9500						
Natural gas	Kcal/Nm ³	8400						
Diesel oil	Kcal/kg	9000						
Standard electric power data	380 V / 50 Hz / 3 phases with neutral							
Auxiliaries voltage	220 V							



Steam Generator

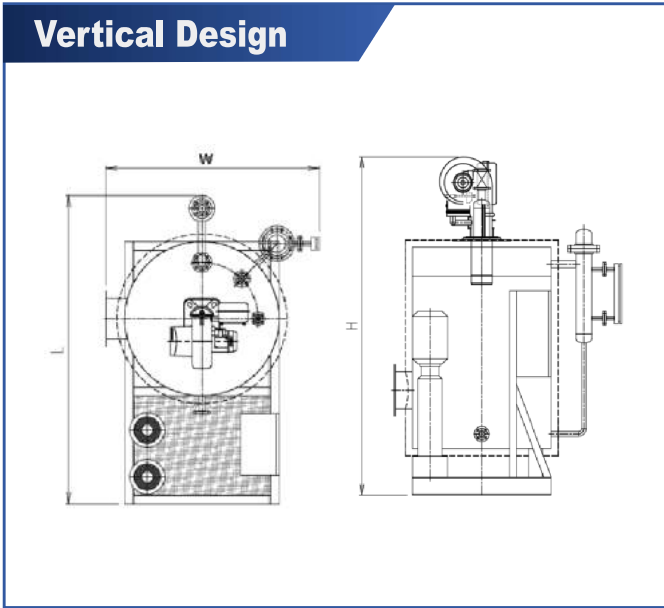


Thermal Oil Heater

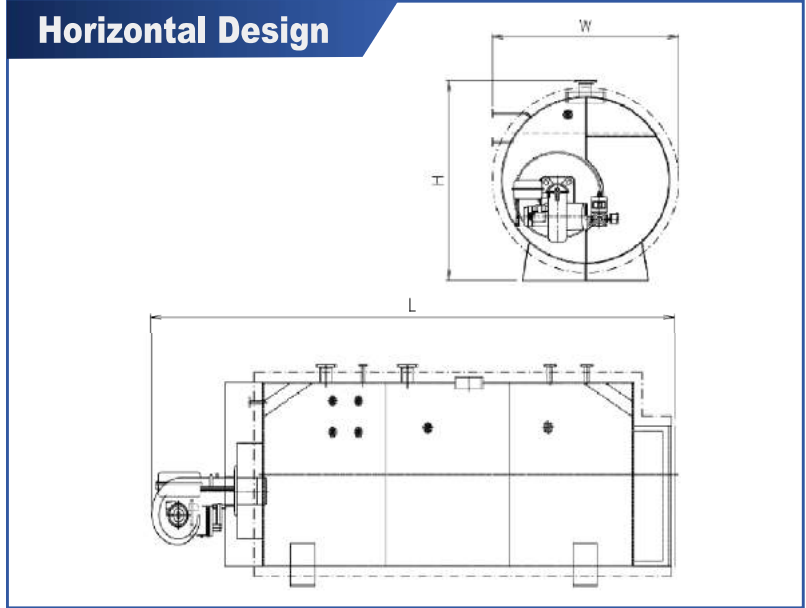
STEAM GENERATOR - IDM300 to IDM5000

Dimensions of flash coil steam generators IDM300-5000

Vertical Design



Horizontal Design



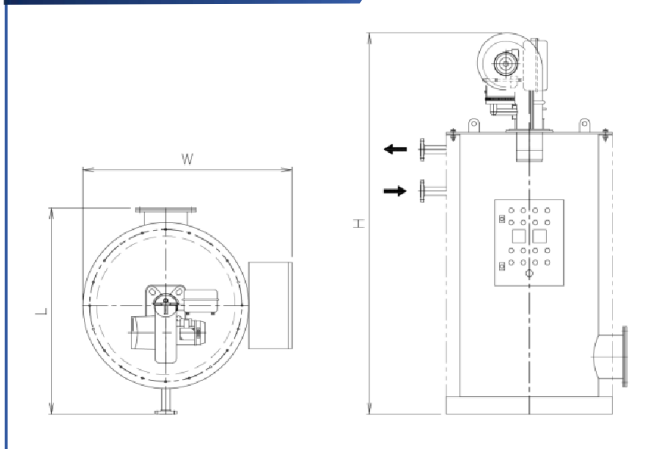
OVERALL DIMENSIONS AND CONNECTIONS OF STEAM GENERATORS IDM300-5000

MODEL		IDM 300	IDM 500	IDM 1000	IDM 1500	IDM 2000	IDM 3000	IDM 5000	
VERTICAL VERSION DIMENSIONS									
L	Length	mm	1650	1900	2200				
W	Width	mm	1080	1180	1600				
H	Height	mm	1950	2400	3050				
HORIZONTAL VERSION DIMENSIONS									
L	Length	mm			2400	2900	3550	4100	6450
W	Width	mm			1280	1400	1500	1750	2100
H	Height	mm			1650	1700	1850	2200	2260
GENERAL TECHNICAL DATA									
Stack connection	mm	250	250	320	385	385	485	485	
Steam outlet	DN	25	40	50	65	80	100	125	
	PN	16	16	16	16	16	16	16	
Safety valve	DN	20/40	20/40	20/40	25/40	25/40	40/50	50/65	
	PN	25/16	25/16	25/16	25/16	25/16	25/16	25/16	
Natural gas connection		1"G	1 1/2"G	2"G	2"G	2"G	2 1/2"G	2 1/2"G	
Feed water inlet		1"G	1"G	1"G	1"G	1 1/2"G	1 1/2"G	2"G	
Total volume	l	208	370	620/850	1100	2400	2710	3100	
Pipes diameter	mm	60.3	60.3	60.3/50.8	50.8	50.8	50.8	50.8	
Heating surface	m ²	6	8.8	14	18	32	34	34	
Empty weight	Kg	750	900	1100	2200	2800	3400	4300	

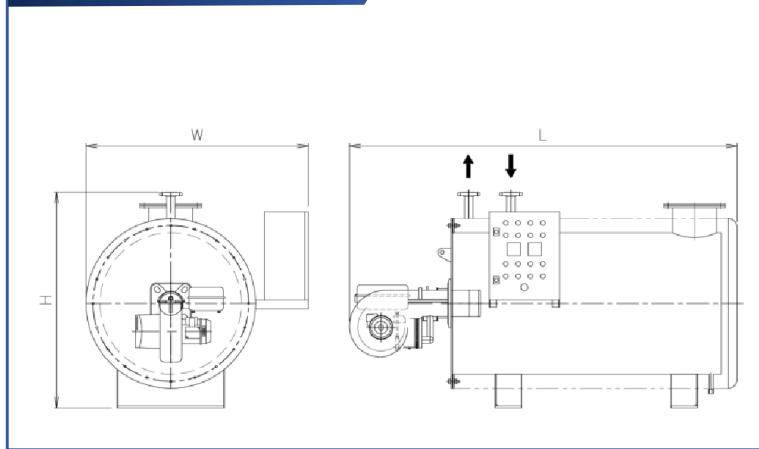
THERMAL OIL HEATER - TOH200 to TOH6000

Dimensions of flash coil Thermal Oil Heater TOH200-T6000

Vertical Design



Horizontal Design



OVERALL DIMENSIONS AND CONNECTIONS OF THERMAL OIL HEATER IDM200-6000

MODEL-TOH			200	400	600	800	1000	2000	3000	4000	5000	6000
VERTICAL VERSION DIMENSIONS												
L	Length	mm	1200	1450	1590							
W	Width	mm	970	1390	1550							
H	Height	mm	2200	2550	3100							
HORIZONTAL VERSION DIMENSIONS												
L	Length	mm	2200	2450	3000	3570	3950	5100	6500	6750	6940	7100
W	Width	mm	970	1390	1550	1830	1940	2690	2900	3050	3120	3260
H	Height	mm	1250	1460	1690	1950	2250	2750	2850	3000	3180	3390
GENERAL TECHNICAL DATA												
Thermal Capacity	Mcal/h		200	400	600	800	1000	2000	3000	4000	5000	6000
Stack conn.	mm		250	250	290	320	320	385	385	485	485	485
Oil Inlet/Outlet	DN		40	40	50	50	80	100	100	125	150	150
	PN		16	16	16	16	16	16	16	16	16	16
Natural gas conn.	Ø		1" G	1½" G	2" G	2" G	2" G	2 ½" G	2 ½" G	3 ½" G	4 ½" G	5 ½" G
Total volume	ltr		80	190	290	432	540	1200	1750	2300	3150	3870
Pipes diameter	mm		48.3	48.3	60.3	60.3	60.3	76.1	76.1	76.1	88.9	88.9
Empty weight	Kg		750	900	1100	2200	2800	3400	4300	4300	4300	4300